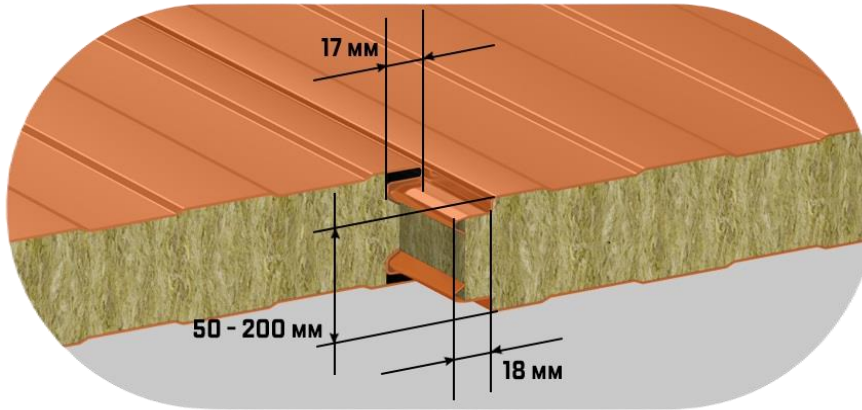


**WALL AND ROOF MINERAL WOOL SANDWICH PANELS. CLASS 1
 WITH Z-LOCK AND SECRET FIX LOCK**

ALL PRICES IN EURO, VAT NOT INCLUDED

09.09.2024

WALL PANELS



WITH Z-LOCK

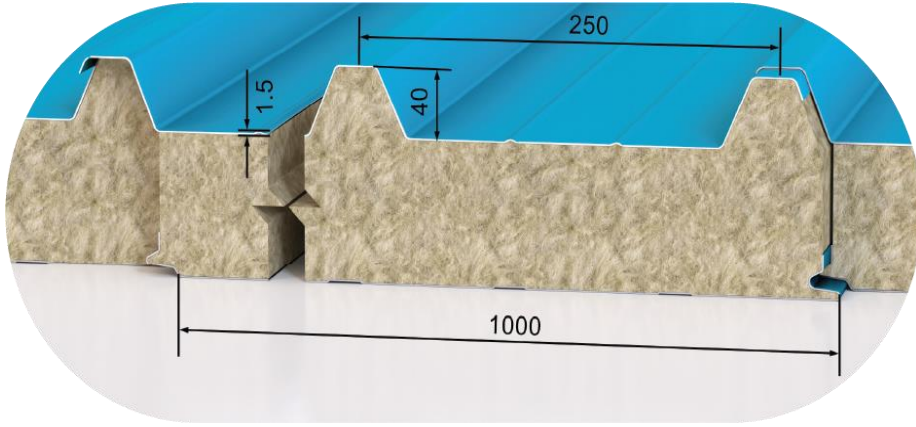
EXTERIOR COATING		PANELS' THICKNESS, MM							
SIDE A	SIDE B	50	60	80	100	120	150	170	200
FIRE RESISTANCE CLASS		EI 30	EI 60	EI 90	EI 150	EI 180			
RAL	RAL	27,08	28,76	32,21	35,47	38,79	43,86	47,09	52,31
	ZN	26,21	27,89	31,34	34,60	37,91	42,98	46,21	51,44
	AISI 304	41,11	42,79	46,25	49,50	52,82	57,89	61,12	66,34
	AISI 430	35,98	37,67	41,12	44,37	47,69	52,76	55,99	61,21
	PVDF	37,32	39,00	42,45	45,71	49,02	54,10	57,33	62,55
	PU	33,71	35,39	38,84	42,10	45,41	50,48	53,71	58,94
	FOOD SAFE	40,35	42,03	45,48	48,74	52,06	57,13	60,36	65,58
ZN	RAL	26,21	27,89	31,34	34,60	37,91	42,98	46,21	51,44
	ZN	25,33	27,02	30,47	33,72	37,04	42,11	45,34	50,56
	AISI 304	40,24	41,92	45,37	48,63	51,94	57,02	60,25	65,47
	AISI 430	35,11	36,79	40,25	43,50	46,82	51,89	55,12	60,34
	PVDF	36,44	38,13	41,58	44,83	48,15	53,22	56,45	61,67
	PU	32,83	34,52	37,97	41,22	44,54	49,61	52,84	58,06
	FOOD SAFE	39,48	41,16	44,61	47,87	51,18	56,25	59,48	64,71
AISI 304	RAL	41,11	42,79	46,25	49,50	52,82	57,89	61,12	66,34
	ZN	40,24	41,92	45,37	48,63	51,94	57,02	60,25	65,47
	AISI 304	55,14	56,83	60,28	63,53	66,85	71,92	75,15	80,37
	AISI 430	50,02	51,70	55,15	58,40	61,72	66,79	70,02	75,25
	PVDF	51,35	53,03	56,48	59,74	63,06	68,13	71,36	76,58
	PU	47,74	49,42	52,87	56,13	59,44	64,52	67,75	72,97
	FOOD SAFE	54,38	56,06	59,52	62,77	66,09	71,16	74,39	79,61
AISI 430	RAL	35,98	37,67	41,12	44,37	47,69	52,76	55,99	61,21
	ZN	35,11	36,79	40,25	43,50	46,82	51,89	55,12	60,34
	AISI 304	50,02	51,70	55,15	58,40	61,72	66,79	70,02	75,25
	AISI 430	44,89	46,57	50,02	53,28	56,60	61,67	64,90	70,12
	PVDF	46,22	47,90	51,36	54,61	57,93	63,00	66,23	71,45
	PU	42,61	44,29	47,75	51,00	54,32	59,39	62,62	67,84
	FOOD SAFE	49,25	50,94	54,39	57,64	60,96	66,03	69,26	74,48

	RAL	37,32	39,00	42,45	45,71	49,02	54,10	57,33	62,55
	ZN	36,44	38,13	41,58	44,83	48,15	53,22	56,45	61,67
	AISI 304	51,35	53,03	56,48	59,74	63,06	68,13	71,36	76,58
PVDF	AISI 430	46,22	47,90	51,36	54,61	57,93	63,00	66,23	71,45
	PVDF	47,56	49,24	52,69	55,94	59,26	64,33	67,56	72,79
	PU	43,94	45,63	49,08	52,33	55,65	60,72	63,95	69,17
	FOOD SAFE	50,59	52,27	55,72	58,98	62,29	67,37	70,60	75,82
	RAL	33,71	35,39	38,84	42,10	45,41	50,48	53,71	58,94
	ZN	32,83	34,52	37,97	41,22	44,54	49,61	52,84	58,06
	AISI 304	47,74	49,42	52,87	56,13	59,44	64,52	67,75	72,97
PU (POLYURETHANE)	AISI 430	42,61	44,29	47,75	51,00	54,32	59,39	62,62	67,84
	PVDF	43,94	45,63	49,08	52,33	55,65	60,72	63,95	69,17
	PU	40,33	42,02	45,47	48,72	52,04	57,11	60,34	65,56
	FOOD SAFE	46,98	48,66	52,11	55,37	58,68	63,75	66,98	72,21
FOOD SAFE	FOOD SAFE	53,62	55,30	58,75	62,01	65,33	70,40	73,63	78,85

WITH SECRET FIX LOCK

EXTERIOR COATING		PANEL'S THICKNESS, MM / SECRET FIX				
SIDE A	SIDE B	60	80	100	120	150
FIRE RESISTANCE CLASS		EI 30	EI 60	EI 90	EI 150	EI 180
	RAL	31,10	34,80	38,08	41,44	46,61
	ZN	29,85	33,56	36,83	40,20	45,37
	AISI 304	51,14	54,85	58,13	61,49	66,66
RAL	AISI 430	43,82	47,52	50,80	54,17	59,33
	PVDF	45,72	49,43	52,71	56,07	61,24
	PU	40,56	44,27	47,55	50,91	56,08
	FOOD SAFE	50,06	53,76	57,04	60,40	65,57
	RAL	29,85	33,56	36,83	40,20	45,37
	ZN	28,60	32,31	35,59	38,95	44,12
	AISI 304	49,90	53,60	56,88	60,25	65,41
ZN	AISI 430	42,57	46,28	49,56	52,92	58,09
	PVDF	44,48	48,18	51,46	54,83	59,99
	PU	39,32	43,02	46,30	49,67	54,83
	FOOD SAFE	48,81	52,52	55,79	59,16	64,33
	RAL	51,14	54,85	58,13	61,49	66,66
	ZN	49,90	53,60	56,88	60,25	65,41
	AISI 304	71,19	74,90	78,17	81,54	86,71
AISI 304	AISI 430	63,87	67,57	70,85	74,21	79,38
	PVDF	65,77	69,48	72,75	76,12	81,29
	PU	60,61	64,32	67,60	70,96	76,13
	FOOD SAFE	70,10	73,81	77,09	80,45	85,62
	RAL	43,82	47,52	50,80	54,17	59,33
	ZN	42,57	46,28	49,56	52,92	58,09
	AISI 304	63,87	67,57	70,85	74,21	79,38
AISI 430	AISI 430	56,54	60,25	63,52	66,89	72,06
	PVDF	58,44	62,15	65,43	68,79	73,96
	PU	53,29	56,99	60,27	63,63	68,80
	FOOD SAFE	62,78	66,48	69,76	73,13	78,29
	RAL	45,72	49,43	52,71	56,07	61,24
	ZN	44,48	48,18	51,46	54,83	59,99
	AISI 304	65,77	69,48	72,75	76,12	81,29
PVDF	AISI 430	58,44	62,15	65,43	68,79	73,96
	PVDF	60,35	64,06	67,33	70,70	75,87
	PU	55,19	58,90	62,17	65,54	70,71
	FOOD SAFE	64,68	68,39	71,67	75,03	80,20
	RAL	40,56	44,27	47,55	50,91	56,08
	ZN	39,32	43,02	46,30	49,67	54,83
	AISI 304	60,61	64,32	67,60	70,96	76,13
PU (POLYURETHANE)	AISI 430	53,29	56,99	60,27	63,63	68,80
	PVDF	55,19	58,90	62,17	65,54	70,71
	PU	50,03	53,74	57,02	60,38	65,55
	FOOD SAFE	59,52	63,23	66,51	69,87	75,04
FOOD SAFE	FOOD SAFE	69,02	72,72	76,00	79,37	84,53

ROOF PANELS



EXTERIOR COATING		PANELS' THICKNESS, MM							
SIDE A	SIDE B	50	60	80	100	120	150	170	200
FIRE RESISTANCE CLASS		RE 15		RE 30	REI 45		REI 60		
RAL	RAL	31,53	33,14	36,61	39,82	43,06	47,90	51,37	56,22
	ZN	30,51	32,12	35,59	38,79	42,03	46,88	50,35	55,20
	AISI 304	47,92	49,53	53,00	56,21	59,44	64,29	67,76	72,61
	AISI 430	41,94	43,55	47,02	50,22	53,46	58,31	61,78	66,63
	PVDF	43,49	45,10	48,57	51,78	55,02	59,87	63,33	68,18
	PU	39,27	40,88	44,35	47,56	50,79	55,64	59,11	63,96
	FOOD SAFE	47,03	48,64	52,11	55,32	58,56	63,40	66,87	71,72
ZN	RAL	30,51	32,12	35,59	38,79	42,03	46,88	50,35	55,20
	ZN	29,48	31,10	34,56	37,77	41,01	45,86	49,33	54,17
	AISI 304	46,90	48,51	51,98	55,18	58,42	63,27	66,74	71,59
	AISI 430	40,91	42,52	45,99	49,20	52,44	57,29	60,75	65,60
	PVDF	42,47	44,08	47,55	50,75	53,99	58,84	62,31	67,16
	PU	38,25	39,86	43,33	46,53	49,77	54,62	58,09	62,94
	FOOD SAFE	46,01	47,62	51,09	54,29	57,53	62,38	65,85	70,70
AISI 304	RAL	47,92	49,53	53,00	56,21	59,44	64,29	67,76	72,61
	ZN	46,90	48,51	51,98	55,18	58,42	63,27	66,74	71,59
	AISI 304	64,31	65,92	69,39	72,60	75,83	80,68	84,15	89,00
	AISI 430	58,33	59,94	63,40	66,61	69,85	74,70	78,17	83,02
	PVDF	59,88	61,49	64,96	68,17	71,40	76,25	79,72	84,57
	PU	55,66	57,27	60,74	63,94	67,18	72,03	75,50	80,35
	FOOD SAFE	63,42	65,03	68,50	71,71	74,94	79,79	83,26	88,11
AISI 430	RAL	41,94	43,55	47,02	50,22	53,46	58,31	61,78	66,63
	ZN	40,91	42,52	45,99	49,20	52,44	57,29	60,75	65,60
	AISI 304	58,33	59,94	63,40	66,61	69,85	74,70	78,17	83,02
	AISI 430	52,34	53,95	57,42	60,63	63,87	68,71	72,18	77,03
	PVDF	53,90	55,51	58,98	62,18	65,42	70,27	73,74	78,59
	PU	49,67	51,29	54,75	57,96	61,20	66,05	69,52	74,37
	FOOD SAFE	57,44	59,05	62,52	65,72	68,96	73,81	77,28	82,13
PVDF	RAL	43,49	45,10	48,57	51,78	55,02	59,87	63,33	68,18
	ZN	42,47	44,08	47,55	50,75	53,99	58,84	62,31	67,16
	AISI 304	59,88	61,49	64,96	68,17	71,40	76,25	79,72	84,57
	AISI 430	53,90	55,51	58,98	62,18	65,42	70,27	73,74	78,59
	PVDF	55,45	57,06	60,53	63,74	66,98	71,83	75,29	80,14
	PU	51,23	52,84	56,31	59,52	62,75	67,60	71,07	75,92
	FOOD SAFE	58,99	60,60	64,07	67,28	70,52	75,37	78,83	83,68
PU (POLYURETHANE)	RAL	39,27	40,88	44,35	47,56	50,79	55,64	59,11	63,96
	ZN	38,25	39,86	43,33	46,53	49,77	54,62	58,09	62,94
	AISI 304	55,66	57,27	60,74	63,94	67,18	72,03	75,50	80,35
	AISI 430	49,67	51,29	54,75	57,96	61,20	66,05	69,52	74,37
	PVDF	51,23	52,84	56,31	59,52	62,75	67,60	71,07	75,92
	PU	47,01	48,62	52,09	55,29	58,53	63,38	66,85	71,70
	FOOD SAFE	54,77	56,38	59,85	63,06	66,29	71,14	74,61	79,46
FOOD SAFE	FOOD SAFE	62,53	64,14	67,61	70,82	74,06	78,90	82,37	87,22

PH INSULATION MANUFACTURES CLASS 1 SANDWICH PANELS
ON ITALIAN PU.MA CONTINUES LINE

- Mineral Wool Density - 105 kg/m³
- You can request sandwich panels with high-quality standard metal of leading Russian and world suppliers Severstal, NLMK, MMK, Arcelor, SSAB, Lampre, etc. with polymer coating.
- Or you can request the special metal according to your requirements:
 - wide range of colors according to RAL chart for polymer coating,
 - various coatings: Polyester, Pural, PVDF, or Food Safe Laminate (a special 110 µm thick coating for food products storage and processing facilities: meat and fish processing plants, dairy farming, etc).
- You can also choose the panels with flat surface or with ribs for elevated sturdiness.
- All PH Insulation panels are delivered wrapped in a surface-protection plastic film for transportation.

